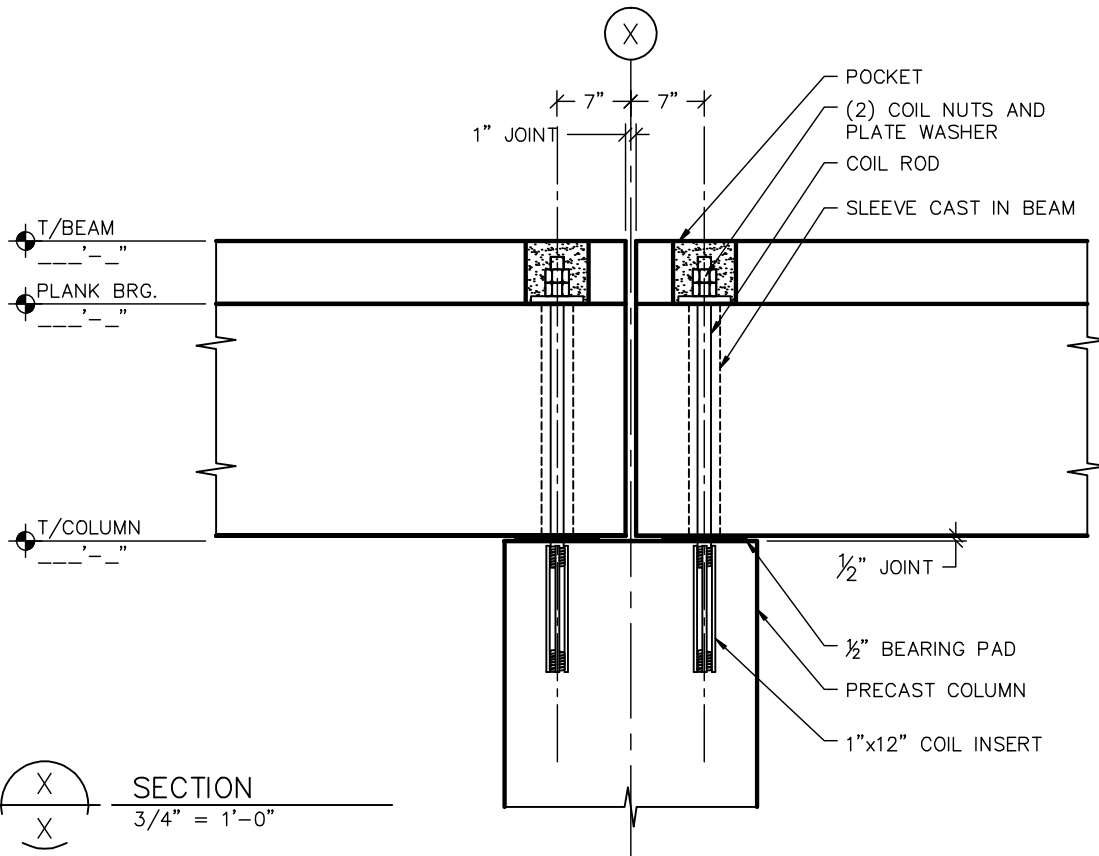


PLAN



SECTION
3/4" = 1'-0"



3573 Busch Drive, Grandville, Michigan 49418
616.224.6176 616.224.2661 www.kerkstra.com



ENG:
PLANT:
FIELD:
PRES:

BEAM TO PRECAST COLUMN
BOLTED CONNECTION - 2

DATE:
11/2/07

FILE NAME:
4402M