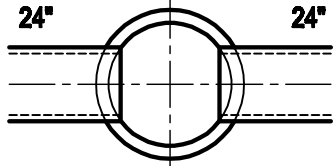
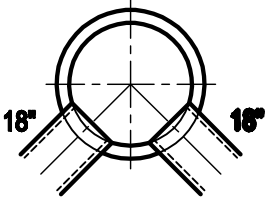
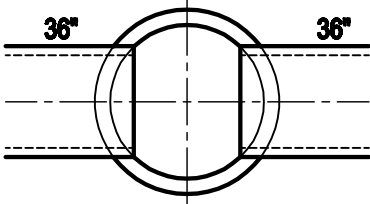
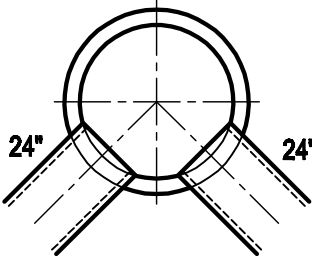
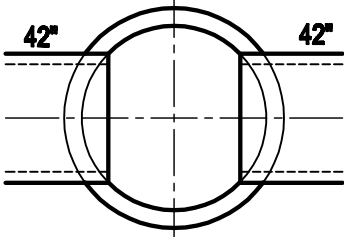
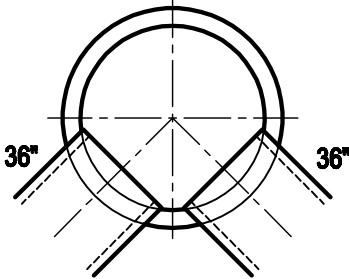
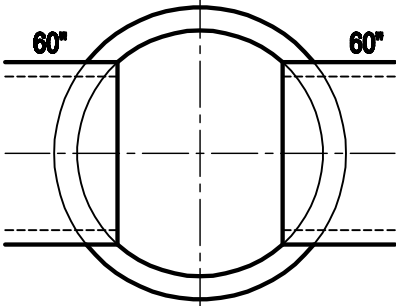
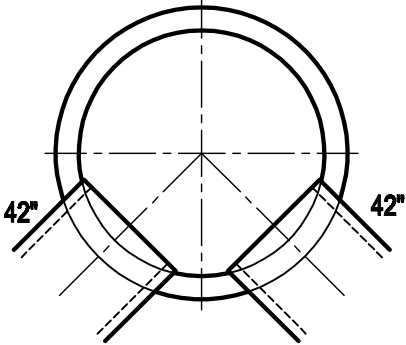


MANHOLE INSIDE DIAMETER	MAXIMUM PIPE SIZE FOR STRAIGHT THRU INSTALLATION	MAXIMUM PIPE SIZE FOR RIGHT ANGLE INSTALLATION	GENERAL INFORMATION
48" DIA.			<p>ALL DIMENSIONS ARE FOR CONCRETE PIPE</p> <p>ALL MANHOLES CONFORM TO ASTM C-478</p> <p>6" MINIMUM SPACING BETWEEN OPENINGS</p>
60" DIA.			
72" DIA.			
96" DIA.			



3373 Busch Drive, Grandville, Michigan 49418
 616.224.6176 | 616.224.2661 | www.kerkstra.com



ENG:
PLANT:
FIELD:
PRES:

MAXIMUM PIPE SIZES PER MANHOLE DIA.	
DATE:	FILE NAME:
7/2/07	7101