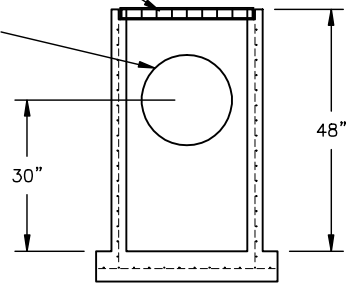
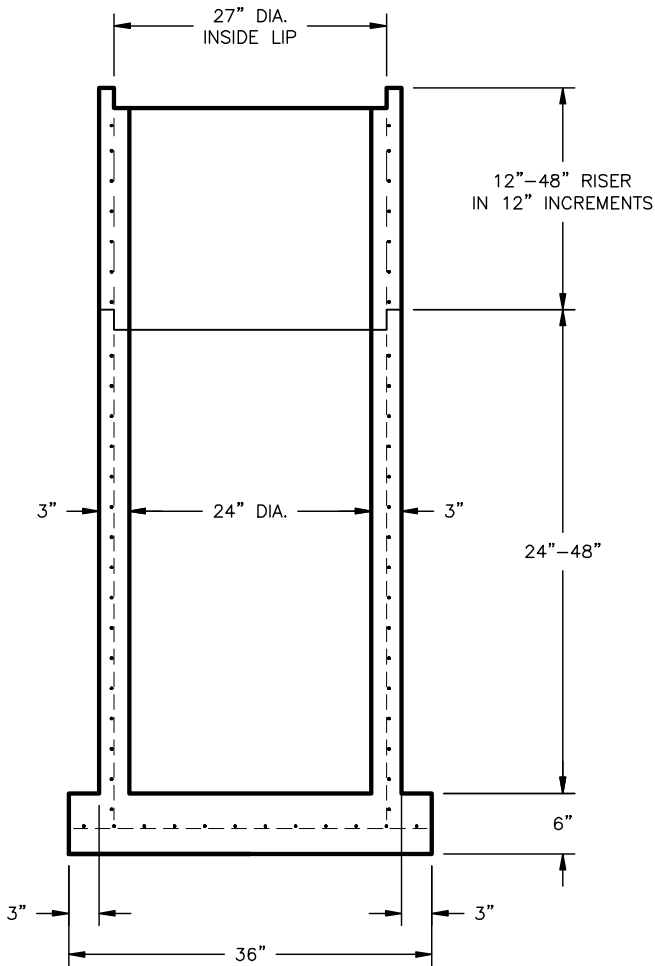


EJIW 1040 M1 GRATE
OPTIONAL

18" DIA. HOLE



**STANDARD 24" DIA.
CATCH BASIN**



CONFORMS TO ASTM C-478



3373 Busch Drive, Grandville, Michigan 49418
616.224.6176 1.616.224.2661 www.kerkstra.com



ENG: _____
PLANT: _____
FIELD: _____
PRES: _____

DATE: _____

24" DIA. MANHOLE
W/ 3" WALL

FILE NAME: _____

7/2/07

7202