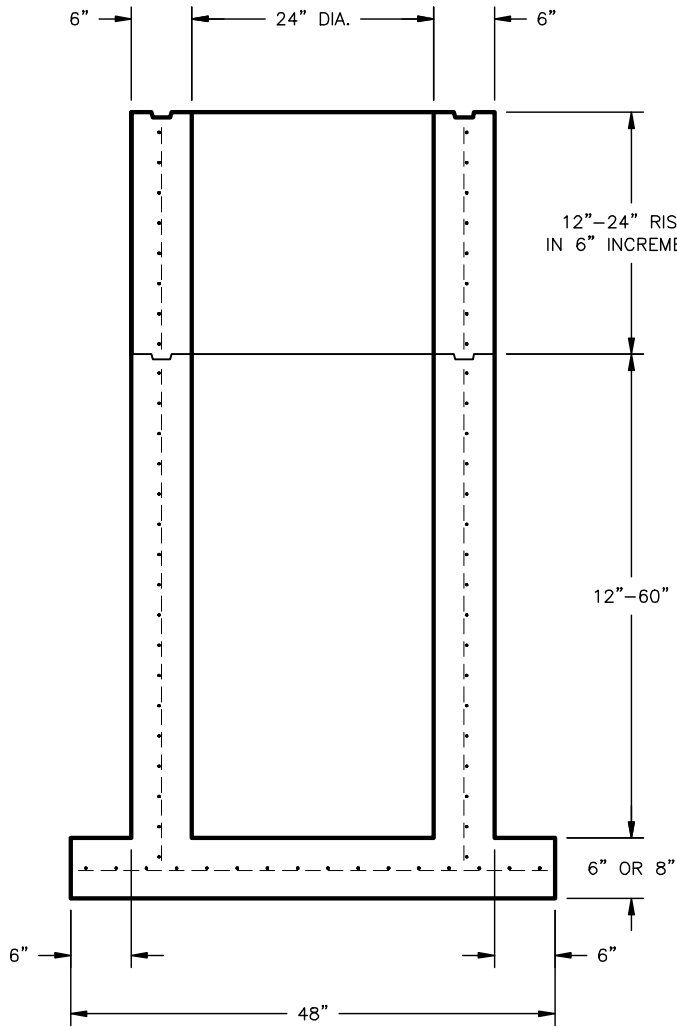


**STANDARD MDOT
24" DIA. CATCH BASIN**



CONFORMS TO ASTM C-478



3373 Busch Drive, Grandville, Michigan 49418
616.224.6176 1.616.224.2661 www.kerkstra.com



ENG: _____
PLANT: _____
FIELD: _____
PRES: _____

DATE: 7/2/07

24" DIA. MANHOLE
W/ 6" WALL

FILE NAME: 7203