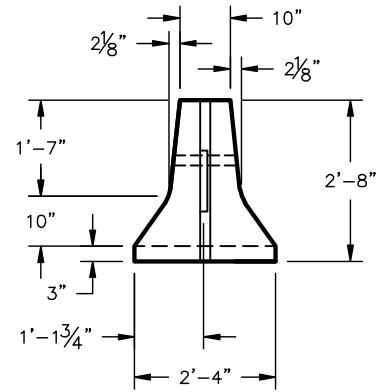
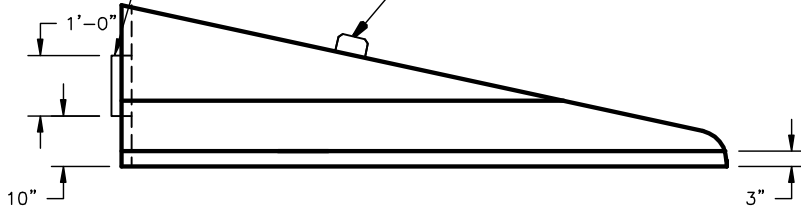


J-J HOOK CONNECTOR PLATE

LIFT HOOK



**NCHRP 305 CONFORMS TO M.D.O.T.
BUREAU OF HIGHWAY STANDARDS.**



3373 Busch Drive, Grandville, Michigan 49418
616.224.6176 | 1-816-224-2661 | www.kerkstra.com



ENG: _____
PLANT: _____
FIELD: _____
PRES: _____

TEMPORARY CONCRETE BARRIER
END SECTION W/ J-J HOOK - 1

DATE: 7/2/07

FILE NAME: 7501