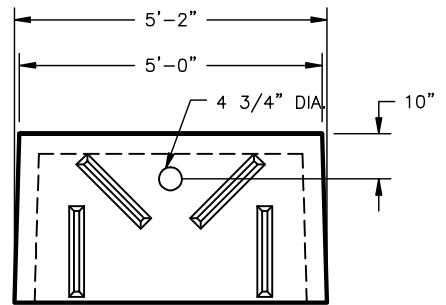


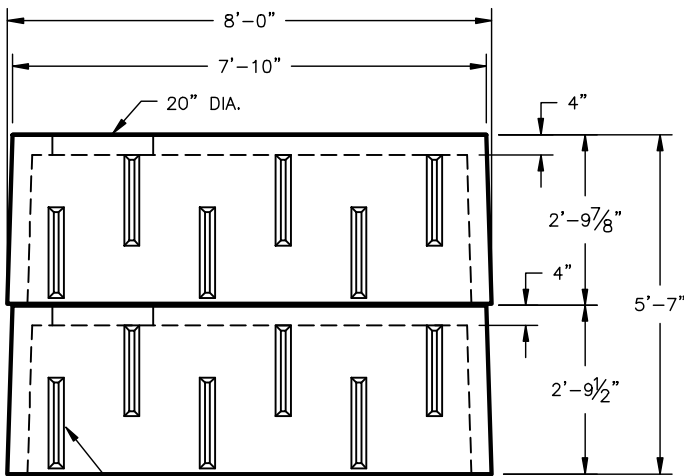
SLOTTED OPENING  
1"x16" ON INSIDE  
3"x18" ON OUTSIDE  
(20) PER TANK



**600 GALLON**



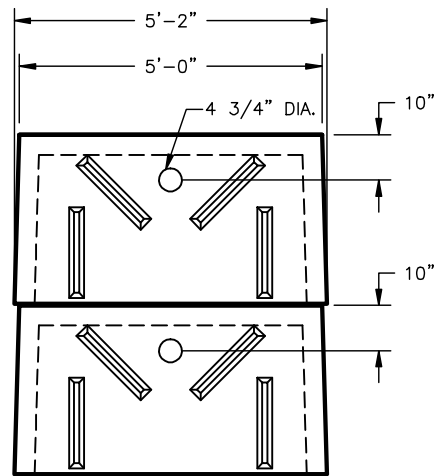
**WEIGHT: 3,700 lbs.**



SLOTTED OPENING  
1"x16" ON INSIDE  
3"x18" ON OUTSIDE  
(20) PER TANK



**1,200 GALLON**



**WEIGHT: 7,400 lbs.**



3373 Busch Drive, Grandville, Michigan 49418  
616.224.6176 | 616.224.2661 | www.kerkstra.com



ENG:	
PLANT:	
FIELD:	
PRES:	

600 & 1,200 GALLON DRY WELLS	
DATE:	7/2/07

FILE NAME:	7701
------------	------