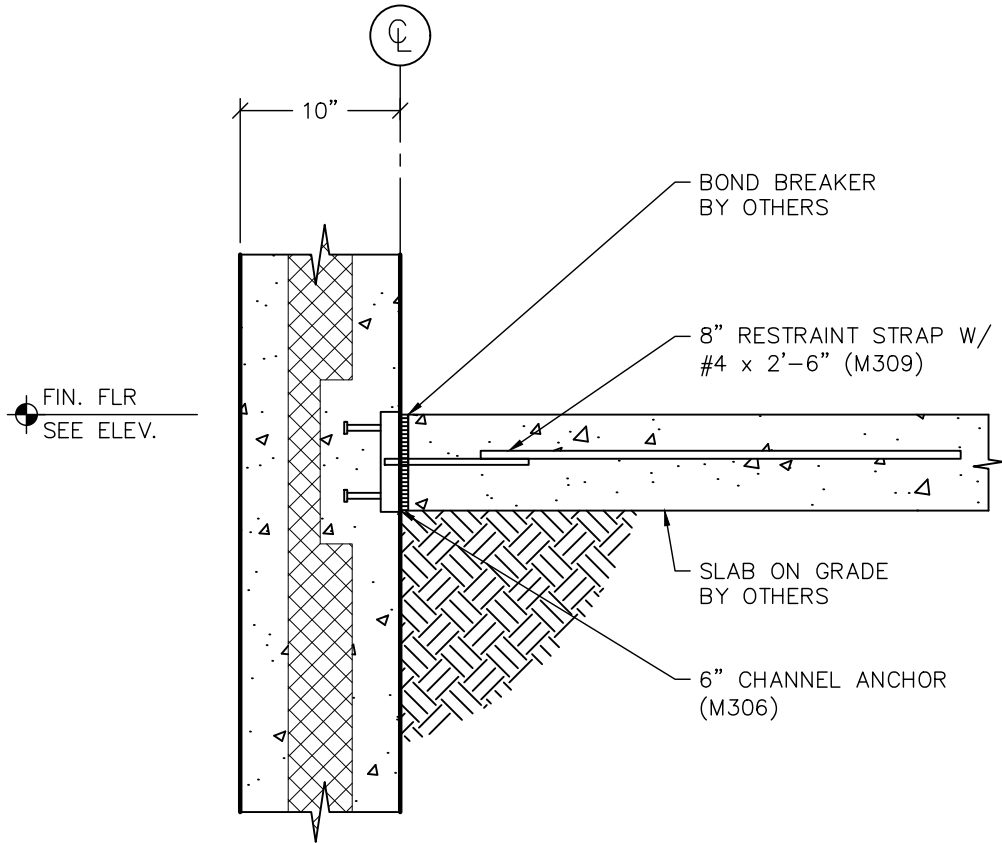
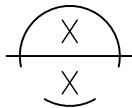


REFERENCE ONLY
NOT APPROVED STANDARD



 SECTION
1" = 1'-0"