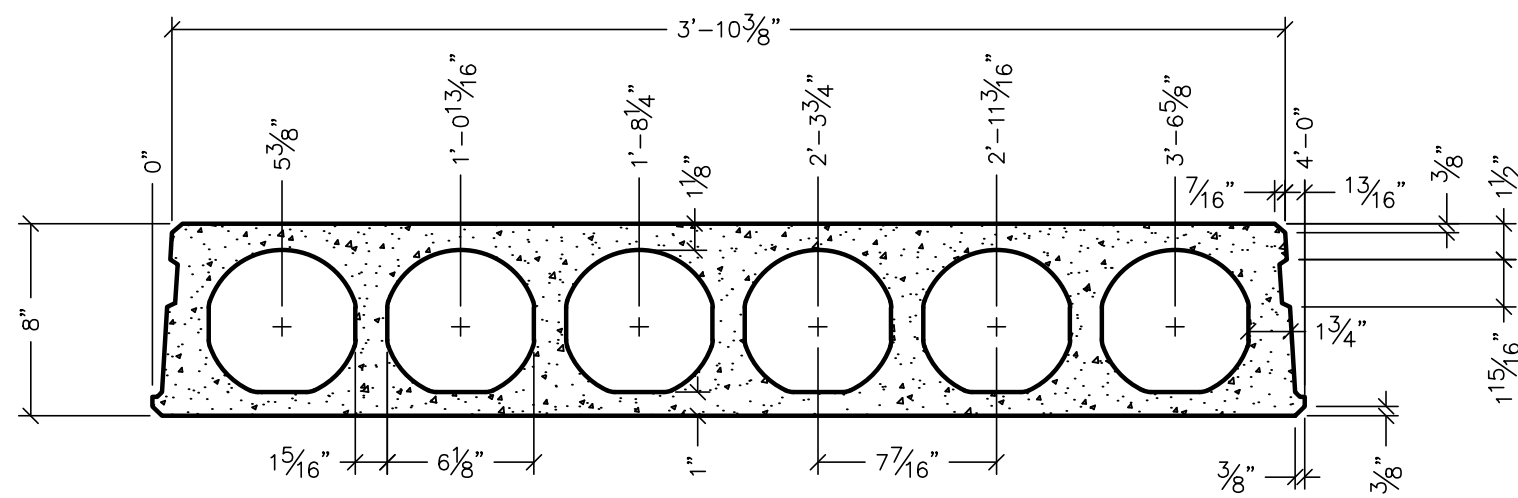


Strand Pattern	Strand Area (in ²)	Maximum Uniformly Distributed Service Load (psf)																				
		Clear Span (Feet)																				
		15	16	17	18	19	20	21	22	23	24	25	26	27	28	29	30	31	32	33	34	35
8S78-1.75	1.071	400	380	340	300	280	250	220	200	185	165	155	150	135	125	120	110	100	95	90	80	75
8S58-1.75	0.765	370	330	295	265	235	215	195	175	155	140	125	115	100	90	80	75	65	60	55	45	40
8S48-1.75	0.612	295	265	240	220	195	170	150	135	120	105	95	85	75	65	55	50	45	-	-	-	-

Strand Pattern	Strand Area (in ²)	Estimated Camber at Midspan at Time of Erection (inches)																				
		Clear Span (Feet)																				
		15	16	17	18	19	20	21	22	23	24	25	26	27	28	29	30	31	32	33	34	35
8S78-1.75	1.071	0.41	0.46	0.51	0.56	0.61	0.66	0.70	0.75	0.79	0.83	0.86	0.89	0.91	0.93	0.94	0.94	0.94	0.92	0.89	0.86	0.80
8S58-1.75	0.765	0.28	0.31	0.34	0.37	0.40	0.42	0.45	0.46	0.48	0.49	0.49	0.49	0.48	0.47	0.44	0.40	0.36	0.31	0.24	0.16	0.06
8S48-1.75	0.612	0.22	0.24	0.26	0.28	0.29	0.30	0.31	0.32	0.32	0.31	0.30	0.28	0.26	0.23	0.18	0.13	0.07	-	-	-	-

Strand Pattern	Strand Area (in ²)	Total Live Load Deflection at Midspan (inches)																				
		Clear Span (Feet)																				
		15	16	17	18	19	20	21	22	23	24	25	26	27	28	29	30	31	32	33	34	35
8S78-1.75	1.071	-0.223	-0.274	-0.312	-0.346	-0.401	-0.440	-0.470	-0.515	-0.569	-0.602	-0.667	-0.754	-0.789	-0.845	-0.933	-0.980	-1.015	-1.095	-1.189	-1.175	-1.275
8S58-1.75	0.765	-0.207	-0.239	-0.272	-0.307	-0.338	-0.380	-0.419	-0.453	-0.479	-0.513	-0.539	-0.580	-0.587	-0.611	-0.625	-0.671	-0.663	-0.695	-0.720	-0.664	-0.663
8S48-1.75	0.612	-0.165	-0.192	-0.222	-0.256	-0.281	-0.301	-0.323	-0.350	-0.372	-0.386	-0.411	-0.430	-0.441	-0.442	-0.431	-0.448	-0.460	-	-	-	-



SECTION PROPERTIES

$A_c = 195.5 \text{ IN.}^2$
 $I_g = 1586 \text{ IN.}^4$
 $Y_b = 4.08 \text{ IN.}$
 $b_w = 10.19 \text{ IN.}$
 $v/s = a/p = 1.76$
 $w_t = 53 \text{ PSF}$
 $W_{\text{COREFILL}} = 31 \text{ PLF}$

CONCRETE

PLANK
 $f'_{ci} = 4000 \text{ psi}$
 $f'_c = 7000 \text{ psi}$
COREFILL
 $f'_c = 5000 \text{ psi}$

STRAND

$f_{pu} = 270 \text{ ksi (LOW LAX)}$
JACKING FORCE:
 TOP = $0.60 f_{pu}$
 BOTTOM = $0.70 f_{pu}$

NOTES:

- TABULATED SAFE UNIFORM DISTRIBUTED LOADS IN THIS TABLE ARE BASED ON ACI 318-14.
- ALL CALCULATED LOADS ARE CONSIDERED AS SUPERIMPOSED LIVE LOAD BASED ON 1.2DL+1.6LL.
- TOPPING WEIGHT IS NOT INCLUDED IN TABULATED VALUES.
- OPENINGS THROUGH PRECAST HAVE NOT BEEN CONSIDERED.
- LOADS IN THE SHADED REGION HAVE LIVE LOAD DEFLECTIONS GREATER THAN $L/360$.
- LOADS TO THE LEFT OF THE HEAVY LINE ARE GOVERNED BY SHEAR CAPACITY.
- PLANK IS 1.5 HOUR FIRE RATED PER PCI MNL-124. FOR HIGHER RATINGS PLEASE CONTACT KP.
- FOR CONDITIONS NOT SHOWN IN ABOVE TABLE PLEASE CONTACT KP.